



**FORTRESS  
POWER**  
Secure your energy



# FORTRESS POWER

## LFP-10 Lithium Battery Storage

**Our High-Performance LFP-10 battery is easy to install, safe, and reliable. It provides the lowest lifetime energy cost for both new solar customers and retrofit customers.**

Fortress Power Lithium Batteries have the industry's most advanced technology with a Battery Management System that integrates multilevel safety concepts:

- Overcharge and Deep Discharge Protection
- Voltage and Temperature Observation
- Cell Monitoring and Balancing
- Built-in accessible 150 Amp DC breaker On/Off switch

**The LFP-10 is Easy to Integrate with Solar, or Operate Independently to Provide Your Home Power Day or Night**

- Keep your solar system operating during a power outage
- Use energy stored during daytime for powering your home at night
- Lower your electric bill by avoiding the need to buy electricity at peak times
- No maintenance and operation costs



### HIGH PERFORMANCE

Large power capacity, with a fast charging and continuous discharge power, creating an 98% round-trip conversion.



### CONSISTENT RELIABILITY

Lithium Ferro Phosphate (LFP) technology operates a wider temperature range providing dependable performance.



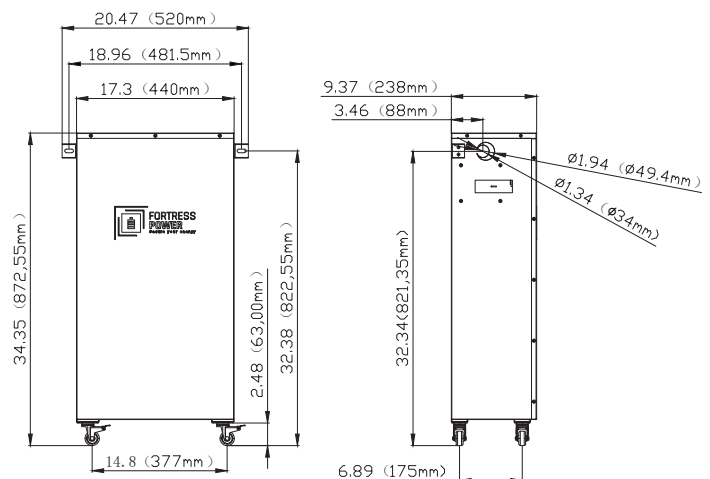
### SUPERIOR SAFETY

Manufactured at the highest standards. LFP is proven to be one of the safest Lithium technologies in the industry.



### EASY TO INSTALL

Our compact design saves space and can be conveniently installed.



[www.FortressPower.com](http://www.FortressPower.com)

Sales@FortressPower.com • 877-497-6937

Technical Specifications	
Total Energy (kWh)	10.24
Capacity (Ah)	200
Nominal Voltage (V)	51.2 (48)
Voltage Range (V)	44-58.4
Max. Charge Current (Continuous) (A)	150 (7.6 kW)
Max. Discharge Current (Continuous) (A)	150 (7.6 kW)
Max. Plus Current for 5Sec (A)	180 (9.2 kW)
Charge temperature [F/°C]	32 F to 113 F (0 °C to 55°C)
Discharge temperature [F/°C]	32 F to 140 F (0 °C to 65°C)
Recommend Storage temperature [F/°C]	41 F to 113 F (5°C to 55°C)
Dimension [WxDxH, inch/mm]	17.3x9.4x33.8 (440 mm x 238 mm x 865 mm)
Weight [lbs/kg]	210 (95 kg)
Enclosure Protection Rating	IP30 (indoor unit)
Mounting Options	Floor standing
Certificates	UL 1642, CE
Warranty	*5/10 years
Life Cycle	6000 @ 80% DoD
Battery Breaker	150 A
Efficiency	> 98% @ 0.5C
Scalability	Maximum 2 in parallel

## ABOUT FORTRESS POWER

Fortress Power proudly services homes, businesses, utilities, telecom and transportation companies worldwide. Our Pennsylvania-based team's passion for clean energy storage has earned us a place among the world's top energy storage battery manufacturers.

Our logistics centers located across the country offer easy distribution to all of our major markets. Fortress Power's high-performance solar lithium battery storage products are designed, engineered and inventoried along with live technical support in the United States.

Fortress Power has partnered with industry leading lending institutions to help make your solar investment as easy as possible.

Please visit our website for purchasing and financing options.

[www.fortresspower.com](http://www.fortresspower.com)



**FORTRESS  
POWER**  
Secure your energy

SCAN ME



**INTERESTED IN  
BECOMING AN  
AUTHORIZED  
DEALER?**

[www.FortressPower.com](http://www.FortressPower.com)

Sales@FortressPower.com · 877-497-6937